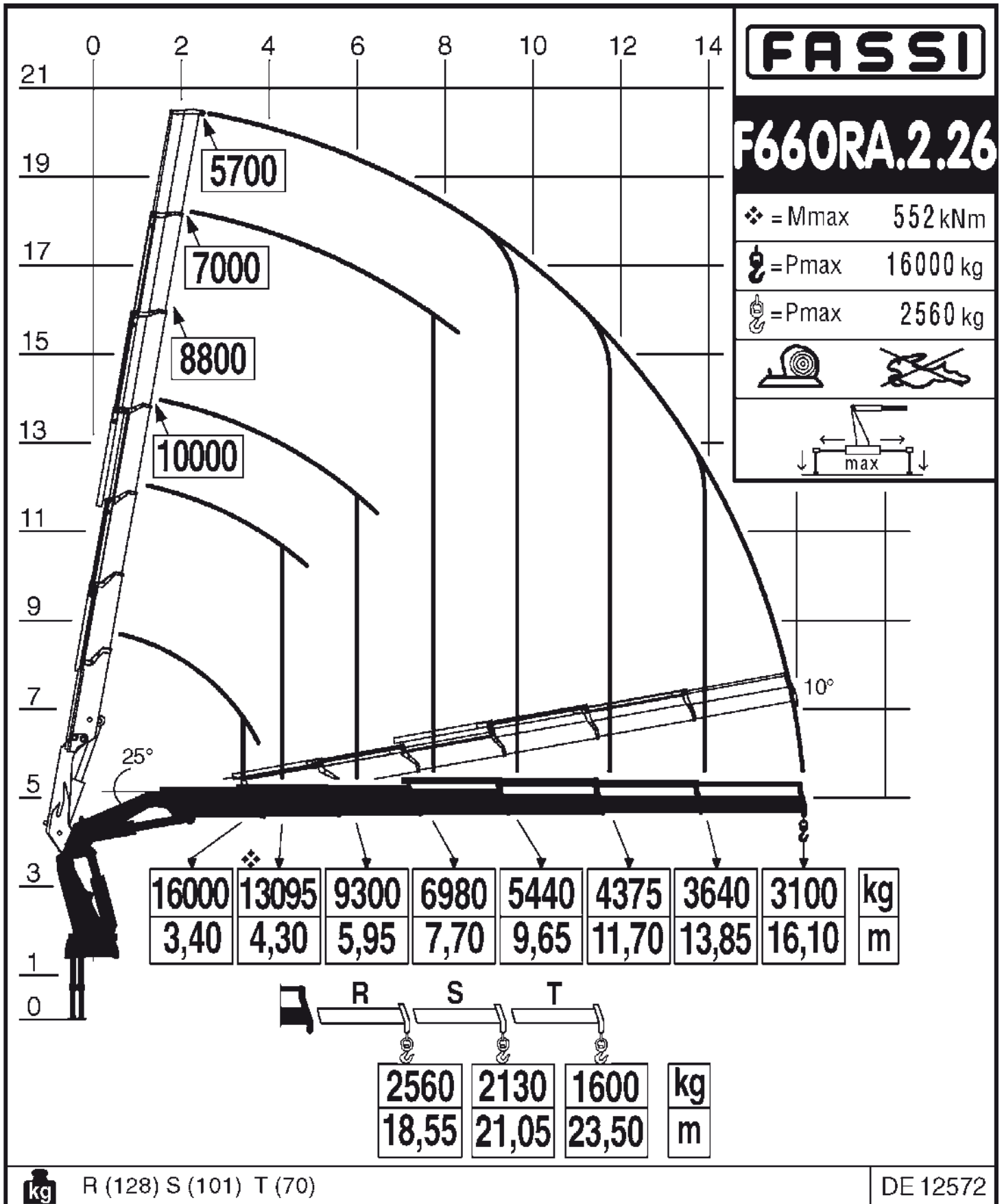


Via Roma, 110  
14021 Albino (BG)  
Tel.: +39 035 776400  
Fax: +39 035 755020  
www.fassi.com  
fassi@fassi.com

LOAD DIAGRAM WITH LIFTING MOMENT LIMITING DEVICE



# FASSI

## F660RA.2.26

❖ = Mmax 552 kNm

⚙ = Pmax 16000 kg

⚙ = Pmax 2560 kg

